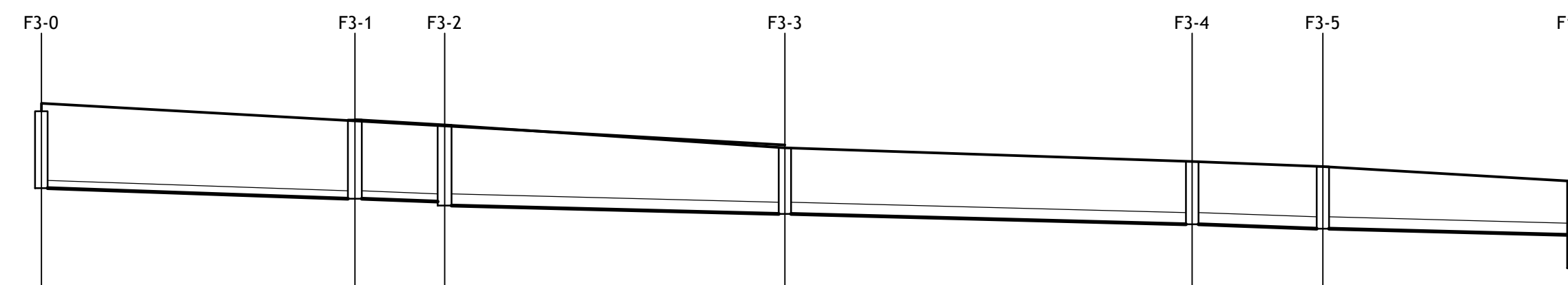


Link Name	1.000	1.001	1.002	1.003	1.004	1.005	1.006	1.007	1.008			
Section Type	225mm	225mm	225mm	225mm	225mm	225mm	225mm	225mm	225mm			
Slope	1:124.6	1:125.1	1:200.4	1:200.2	1:199.7	1:200.9	1:197.5	1:200.0	1:200.0			
Cover Level	28.823	28.570	28.711	28.143 28.116	28.200	28.354	28.236	28.154	27.854 27.831	28.042	27.613	27.480
Invert Level	27.842	27.420 27.420	27.232 27.232	26.890 26.890	26.835 26.835	26.540 26.540	26.485 26.485	26.155 26.155	25.971 25.971	25.920		
Length	52.563	23.526	68.532	11.011	58.926	11.050	65.216	36.737	10.251			

PIPERUN F1



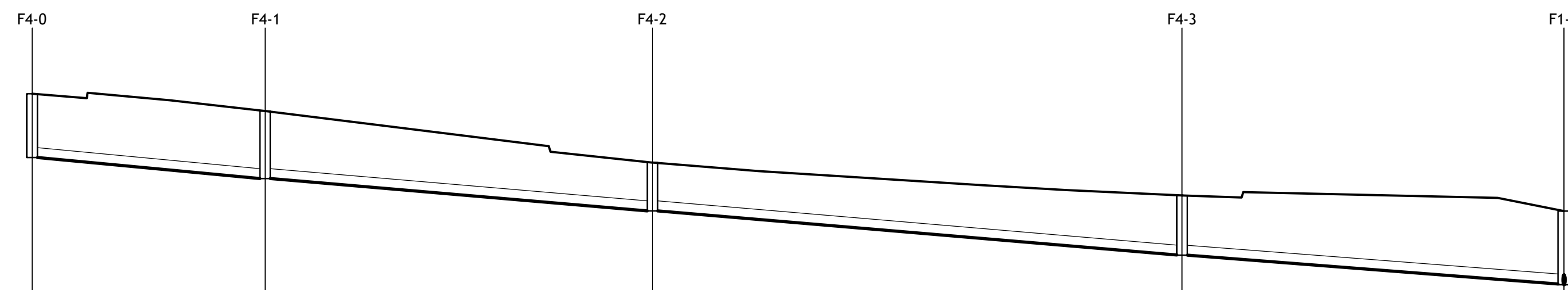
Link Name	2.000	
Section Type	225mm	
Slope	1:65.4	
Cover Level	29.269	28.711
Invert Level	27.950	27.232
Length	40.405	



Link Name	3.000	3.001	3.002	3.003	3.004	3.005	
Section Type	150mm	150mm	225mm	225mm	225mm	225mm	
Slope	1:150.0	1:150.0	1:200.0	1:200.0	1:150.0	1:200.0	
Cover Level	29.500	29.342	29.239	28.800	28.534	28.440	28.154
Invert Level	28.022	27.821 27.821	27.764 27.689	27.526 27.526	27.330 27.330	27.246 27.246	27.125
Length	30.095	8.616	32.669	39.105	12.540	24.138	

PIPERUN F2

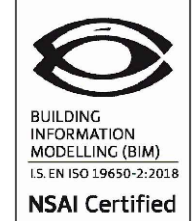
PIPERUN F3



Link Name	4.000	4.001	4.002	4.003		
Section Type	225mm	225mm	225mm	225mm		
Slope	1:55.1	1:60.1	1:59.9	1:66.2		
Cover Level	30.503 30.526	30.109	28.938	28.188 28.264	28.134	27.831
Invert Level	29.053	28.572 28.572	27.839 27.839	26.834 26.831	26.175	
Length	26.482	44.052	60.223	43.434		

PIPERUN F4

© PUNCH Consulting Engineers
This drawing and any design hereon is the copyright of the Consultants and must not be reproduced without their written consent.
All drawings remain the property of the Consultants.
Figured dimension only to be taken from this drawing.
Consultants to be informed immediately of any discrepancies before work proceeds.



Rev	Amendment	By	Date	Rev	Amendment	By	Date
C01	Stage 2 SHD Issue	DAP	27-07-2021				
C02	Planning Issue	IBS	08-10-2021				
C03	Stage 3 SHD Issue	RD	29-03-2022				

Client:
DSPL Limited



Project: STEEPLES ROAD, DULEEK - RESIDENTIAL DEVELOPMENT			
Title: FOUL DRAINAGE SECTIONS - SHEET 1 OF 2			
Drawn: s Buckley	Date drawn: NOV 2018	Technician Check: s Buckley	Engineer Check: Approved:
Project No: 172439	Model Ref: 172439-PUNCH-XX-XX-M2-C-0175	Drawing Status: A0	Revision No: C03
Scale of A1: 1:100	Scale of A2: 1:100	Scale of A3: 1:100	Scale of A4: 1:100